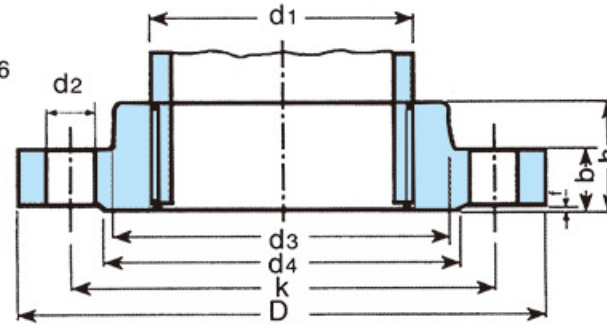


SCREWED PIPE FLANGES
NOMINAL PRESSURE:10 and 16kgf/cm²-ND10-ND16
DIN2566

FLANSLAR
BORULAR ICIN,VIDALI
Anma Basinc 1:10ve 16kgf/cm²-ND10-ND16
TS 813 (TS ISO 7005-1)

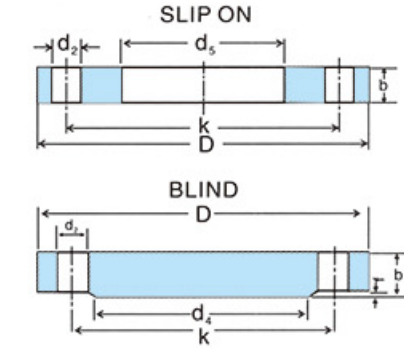
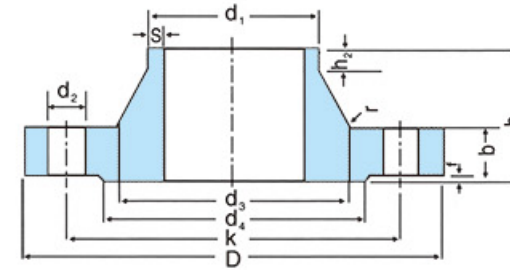


BORU (Pipe)		FLANS (Flange)					BOYUN (Neck)	ALIN CIKINTISI (Raised face)			CIVATALAR (Bolts)		FLANS AGIRLIGI (Flange Weight) (7.85kg/dm ³) kg
DN	d ₁	Boru Vidasi (Whitwort)	D	b	k	h ₁	d ₃	d ₄	f	Sayisi (Each)	Vida Screw	d ₂	
6	10.2	R1/8"	75	12	50	18	20	32	2	4	M10	11	0.326
8	13.5	R1/4"	80	12	55	18	25	38	2	4	M10	11	0.380
10	17.2	R3/8"	90	14	60	20	30	40	2	4	M12	14	0.544
15	21.3	R1/2"	95	14	65	20	35	45	2	4	M12	14	0.613
20	26.9	R3/4"	105	16	75	24	45	58	2	4	M12	14	0.910
25	33.7	R1"	115	16	85	24	52	68	2	4	M12	14	1.10
32	42.4	R1 1/4"	140	16	100	26	60	78	2	4	M16	18	1.60
40	48.3	R1 1/2"	150	16	110	26	70	88	3	4	M16	18	1.78
50	60.3	R2"	165	18	125	28	85	102	3	4	M16	18	2.43
65	76.1	R2 1/2"	185	18	145	32	105	122	3	4	M16	18	3.18
80	88.9	R3"	200	20	160	34	118	138	3	4/8	M16	18	4.12
100	114.3	R4"	220	20	180	38	140	158	3	8	M16	18	4.47
125	139.7	R5"	250	22	210	40	168	188	3	8	M16	18	6.13
150	165.1	R6"	285	22	240	44	195	212	3	8	M20	23	7.92

*Siparse gore galvanizli olarak imal edilebilir

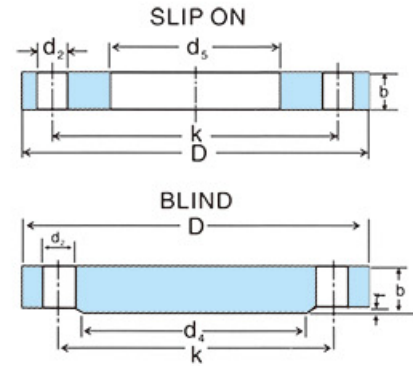
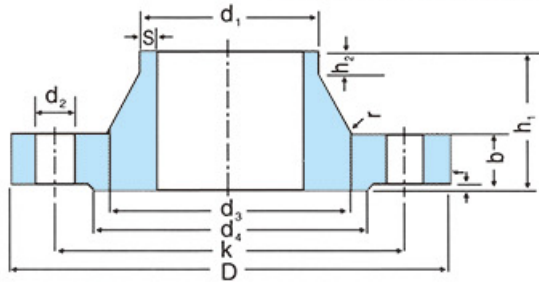
DIN 6Bar

DIN 2573 Slip On Flange
DIN 2527 Blind Flange
DIN 2631 Welding Neck Flange



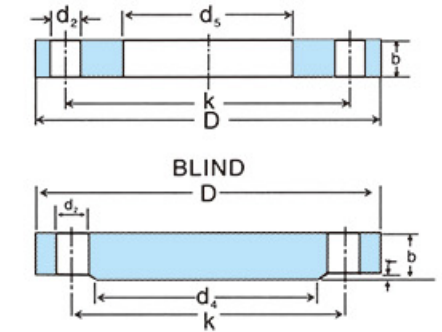
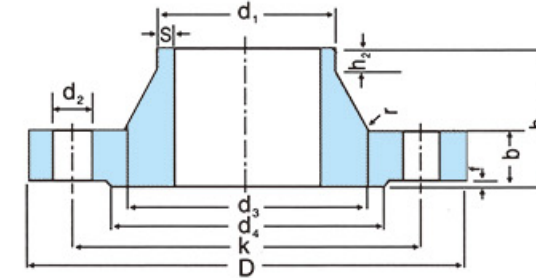
DN	Bore		Common Dimension			Hub					Raised Face		Drilling		Approx.Weight (kg)				
	d ₁	d ₂	D	b			k	h ₁	d ₃	s	r	h ₂	d ₄	f	Number of Bolt Holes	d ₂	DIN 2573	DIN 2631	DIN 2527
15	20	21	80	12	12	12	55	30	30	2	4	6	40	2	4	11	0.41	0.392	
	21.3	22																	
20	25	26	90	14	14	14	65	32	38	2.3	4	6	50	2	4	11	0.6	0.592	
	26.9	27.6																	
25	30	31	100	14	14	14	75	35	42	2.6	4	6	60	2	4	11	0.74	0.747	
	33.7	34.4																	
32	38	39	120	14	16	14	90	35	55	2.6	6	6	70	2	4	14	1.19	1.05	
	42.4	43.1																	
40	44.5	45.5	130	14	16	14	100	38	62	2.6	6	7	80	3	4	14	1.39	1.18	
	48.3	49																	
50	57	58.1	140	14	16	14	110	38	74	2.9	6	8	90	3	4	14	1.53	1.34	
	60.3	61.1																	
65	76.1	77.1	160	14	16	14	130	38	88	2.9	6	9	110	3	4	14	1.89	1.67	2.48
	88.9	90.3																	
80	88.9	90.3	190	16	18	16	150	42	102	3.2	8	10	128	3	4	18	2.98	2.71	3.49
	88.9	90.3																	
100	108	109.6	210	16	18	16	170	45	130	3.6	8	10	148	3	4	18	3.46	3.24	4.86
	114.3	115.9																	
125	133	134.8	240	18	20	18	200	48	155	4	8	10	178	3	8	18	4.6	4.49	6.28
	139.7	141.6																	
150	159	161.1	265	18	20	18	225	48	184	4.5	10	12	202	3	8	18	5.22	5.15	7.75
	168.3	170.5																	
200	219.1	221.8	320	20	22	20	280	55	236	5.9	10	15	258	3	8	18	7.15	7.78	12.7
	219.1	221.8																	
250	267	270.2	375	22	24	22	335	60	290	6.3	12	15	312	3	12	18	9.61	10.8	19
	273	276.2																	
300	323.9	327.6	440	22	24	22	395	62	342	7.1	12	15	365	4	12	22	12.6	14	26.3
	323.9	327.6																	
350	355.6	359.7	490	22	26	22	445	62	385	7.1	12	15	415	4	12	22	15.6	16.7	32.9
	368	372.2																	
400	406.4	411	540	22	28	22	495	65	438	7.1	12	15	465	4	16	22	18.4	19	40.2
	419	423.7																	
500	508	513.6	645	24	30	24	600	68	538	7.1	12	16	570	4	20	22	24.6	28.6	63.2
	508	513.6																	

DIN 10Bar DIN 2576 Slip On Flange
DIN 2527 Blind Flange
DIN2632 Welding Neck Flange



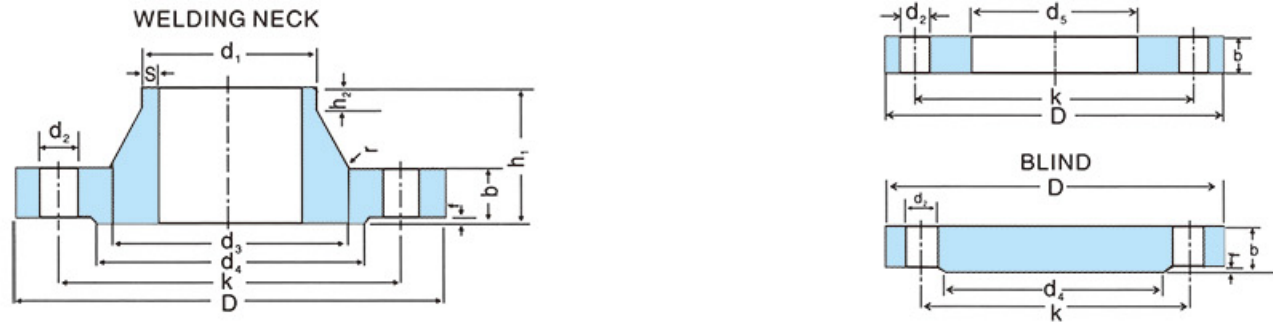
Bore	Common Dimension						Hub					Raised Face	Drilling	Approx.Weight(kg)					
	DN	d ₁	d ₅	D	b			k	h ₁	d ₃	s	r	h ₂	d ₄	f	Number of Bolt Holes	d ₂	DIN 2576	DIN 2632
10	14	14.5	90	14	14	14	60	35	25	1.8	4	6	40	2	4	14	0.613	0.58	0.63
	17.2	17.7															0.605		
15	20	21	95	14	14	14	65	35	30	2	4	6	45	2	4	14	0.675	0.648	0.72
	21.3	22															0.669		
20	25	26	105	16	16	16	75	38	38	2.3	4	6	58	2	4	14	0.943	0.952	1.01
	26.9	27.6															0.936		
25	30	31	115	16	16	16	85	38	42	2.6	4	6	68	2	4	14	1.14	1.14	1.23
	33.7	34.4															1.11		
32	38	39	140	16	16	16	100	40	52	2.6	6	6	78	2	4	18	1.66	1.69	1.8
	42.4	43.1															1.62		
40	44.5	45.5	150	16	16	16	110	42	60	2.6	6	7	88	3	4	18	1.89	1.86	2.09
	48.3	49															1.86		
50	57	58.1	165	18	18	18	125	45	72	2.9	6	8	102	3	4	18	2.51	2.53	2.88
	60.3	61.1															2.47		
65	76.1	77.1	185	18	18	18	145	45	90	2.9	6	10	122	3	4	18	3	3.06	3.66
80	88.9	90.3	200	20	20	20	160	50	105	3.2	8	10	138	3	8	18	3.79	3.7	4.77
	108	109.6															4.2		
100	114.3	115.9	220	20	20	20	180	52	125	3.6	8	12	158	3	8	18	4.03	4.62	5.65
	133	134.8															5.71		
125	139.7	141.6	250	22	22	22	210	55	150	4	8	12	188	3	8	18	5.46	6.3	8.42
	159	161.1															6.72		
150	168.3	170.5	285	22	22	22	240	55	175	4.5	10	12	212	3	8	22	6.57	7.75	10.4
	193.7	196.1															8.45		
175	193.7	196.1	315	24	24	24	270	60	210	5.4	10	12	242	3	8	22	8.45	9.85	14
200	219.1	221.8	340	24	24	24	295	62	235	5.9	10	16	268	3	8	22	9.31	11.3	16.9
250	267	270.2	395	26	26	26	350	68	285	6.3	12	16	320	3	12	22	12.5	14.7	24.7
	273	276.2															11.9		

DIN 10Bar DIN 2576 Slip On Flange
DIN 2527 Blind Flange
DIN 2632 Welding Neck Flange

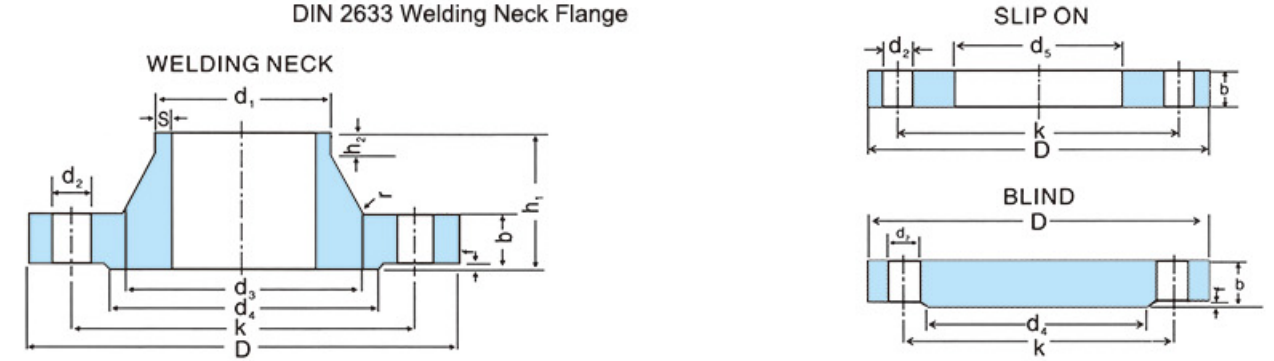


Bore	Common Dimension						Hub					Raised Face	Drilling	Approx.Weight(kg)						
	DN	d ₁	d ₅	D	b			k	h ₁	d ₃	s	r	h ₂	d ₄	f	Number of Bolt Holes	d ₂	DIN 2576	DIN 2632	DIN 2527
300	323.9	327.6	445	26	26	26	400	68	344	7.1	12	16	370	4	12	22	22	13.8	17.4	31.9
	355.6	359.7																20.6		
350	368	372.2	505	26	28	26	460	68	385	7.1	12	16	430	4	16	22	22	19	21.6	41.9
	406.4	411																27.9		
400	419	423.7	565	26	32	26	515	72	440	7.1	12	16	482	4	16	26	26	25.9	26.2	51.2
	500	508																513.6		
600	610	616.5	780	28	40		725	80	642	7.1	12	18	685	5	20	30	51.87	44.6		
700	711	716	895	30	40		840	80	745	8	12	18	800	5	24	30	65.79	62.4		
800	813	818	1015	32	44		950	90	850	8	12	18	905	5	24	33	90.87	84.1		
900	914	920	1115	34	48		1050	95	950	10	12	20	1005	5	28	33	108.41	98.5		
1000	1016	1022	1230	34	50		1160	95	1052	10	16	20	1110	5	28	36	133.21	115		
1200	1220	1226	1455	38	54		1380	115	1255	11	16	25	1330	5	32	39	188.2	182		
1400	1420	1426	1675	42	60		1590	120	1460	12	16	25	1535	5	36	42	262.14	248		
1600	1620	1626	1915	46	64		1820	130	1665	14	16	25	1760	5	40	48	367.43	347		
1800	1820	1826	2115	50	70		2020	140	1868	15	16	30	1960	5	44	48	447.79	430		
2000	2020	2026	2325	54	76		2230	150	2072	16	16	30	2170	5	48	48	577.77	539		
2200	2220	2226	2550	58	82		2440	160	2275	18	18	35	2370	6	52	56	699.88	658		
2400	2420	2426	2760	62	88		2650	170	2478	20	18	35	2570	6	56	56	844.49	825		
2600	2620	2626	2960	66	94		2850	180	2680	22	18	40	2780	6	60	56	972.23	979		
2800	2820	2826	3180	70	100		3070	190	2882	22	18	40	3000	6	64	56	1187.1	1156		
3000	3020	3026	3405	75	106		3290	200	3085	24	18	45	3210	6	68	62	1422.06	1420		

DIN 16Bar DIN 2502 Slip On Flange
DIN 2527 Blind Flange
DIN 2633 Welding Neck Flange



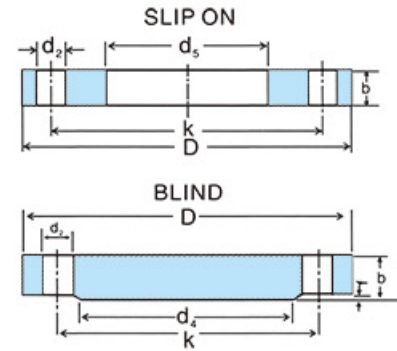
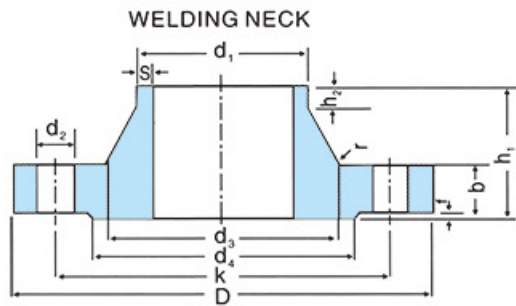
DIN 16Bar DIN 2502 Slip On Flange
DIN 2527 Blind Flange
DIN 2633 Welding Neck Flange



Bore	Common Dimension						Hub					Raised Face		Drilling		Approx. Weight(kg)			
	DN	d_1	d_3	D	b			k	h_1	d_3	s	r	h_2	d_4	f	Number of Bolt Holes	d_2	DIN 2576	DIN 2632
10	14	14.5	90	14	14	14	60	35	25	1.8	4	6	40	2	4	14	0.613	0.58	0.63
	17.2	17.7															0.605		
15	20	21	95	14	14	14	65	35	30	2	4	6	45	2	4	14	0.675	0.648	0.72
	21.3	22															0.669		
20	25	26	105	16	16	16	75	38	38	2.3	4	6	58	2	4	14	0.943	0.952	1.01
	26.9	27.6															0.936		
25	30	31	115	16	16	16	85	38	42	2.6	4	6	68	2	4	14	1.14	1.14	1.23
	33.7	34.4															1.11		
32	38	39	140	16	16	16	100	40	52	2.6	6	6	78	2	4	18	1.66	1.69	1.8
	42.4	43.1															1.62		
40	44.5	45.5	150	16	16	16	110	42	60	2.6	6	7	88	3	4	18	1.89	1.86	2.09
	48.3	49															1.86		
50	57	58.1	165	18	18	18	125	45	72	2.9	6	8	102	3	4	18	2.51	2.53	2.88
	60.3	61.1															2.47		
65	76.1	77.1	185	18	18	18	145	45	90	2.9	6	10	122	3	4	18	3	3.06	3.66
	88.9	90.3															3.79		
80	88.9	90.3	200	20	20	20	160	50	105	3.2	8	10	138	3	8	18	3.79	3.7	4.77
	108	109.6															4.2		
100	108	109.6	220	20	20	20	180	52	125	3.6	8	12	158	3	8	18	4.2	4.62	5.65
	114.3	115.9															4.03		
125	133	134.8	250	22	22	22	210	55	150	4	8	12	188	3	8	18	5.71	6.3	8.42
	139.7	141.6															5.46		
150	159	161.1	285	22	22	22	240	55	175	4.5	10	12	212	3	8	22	6.72	7.75	10.4
	168.3	170.5															6.57		
175	193.7	196.1	315	24	24	24	270	60	210	5.4	10	12	242	3	8	22	8.45	9.85	14
	219.1	221.8															9.31		
200	219.1	221.8	340	24	24	24	295	62	235	5.9	10	16	268	3	12	22	9.31	11	16.1
	267	270.2															13.4		
250	267	270.2	405	26	26	26	355	70	285	6.3	12	16	320	3	12	26	13.4	15.6	24.9
	273	276.2															17.4		
300	323.9	327.6	460	28	28	28	410	78	344	7.1	12	16	378	4	12	26	17.4	22	35.1

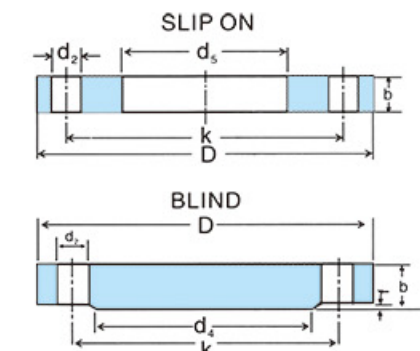
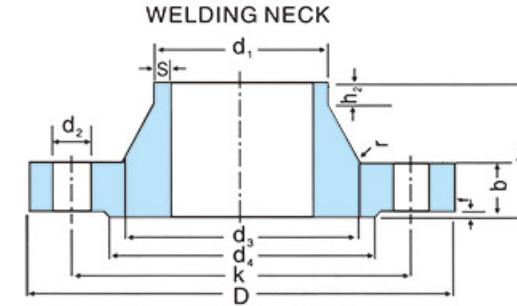
Bore	Common Dimension						Hub					Raised Face		Drilling		Approx. Weight (kg)			
	DN	d_1	d_3	d	b			k	h_1	d_3	s	r	h_2	d_4	f	Number of Bolt Holes	d_2	DIN 2502	DIN 2633
350	355.6	359.7	520	30	30	30	470	82	390	8	12	16	438	4	16	26	26.6	28.8	47.8
	368	372.2															26.6		
400	406.4	411	580	32	32	32	525	85	445	8	12	16	490	4	16	30	30.9	36.3	63.5
	419	423.7															30.9		
500	508	513.6	715	34	38	34	650	90	548	8	12	16	610	4	20	33	54	61	102
																	54		
600	610	616.5	840	36	42	36	770	95	652	8.8	12	18	725	5	20	36	77.58	75.4	149.7
																	77.58		
700	711	716	910	36	44	36	840	100	755	8.8	12	18	795	5	24	36	77.13	77	173.7
																	77.13		
800	813	818	1025	38	50	38	950	105	855	10	12	20	900	5	24	39	106.35	101	235.5
																	106.35		
900	914	920	1125	40	54	40	1050	110	955	10	12	20	1000	5	28	39	125.39	122	298.8
																	125.39		
1000	1016	1022	1255	42	60	42	1170	120	1058	10	16	22	1115	5	28	42	177.99	162	390.7
																	177.99		
1200	1220	1226	1485	48	68	48	1390	130	1262	12.5	16	30	1330	5	32	48	263.46	243	624.8
																	263.46		
1400	1420	1426	1685	52	74	52	1590	145	1465	14.2	16	30	1530	5	36	48	329.77	323	872.6
																	329.77		
1600	1620	1626	1930	58	82	58	1820	160	1668	16	16	35	1750	5	40	56	483.11	479	1275.1
																	483.11		
1800	1820	1826	2130	62	88	62	2020	170	1870	17.5	16	35	1950	5	44	56	577.63	599	1661.9
																	577.63		
2000	2020	2026	2345	66	94	66	2230	180	2072	20	16	40	2150	5	48	62	720.85	719	2142.1
																	720.85		

DIN 25Bar DIN 2503 Slip On Flange
DIN 2527 Blind Flange
DIN 2634 Welding Neck Flange



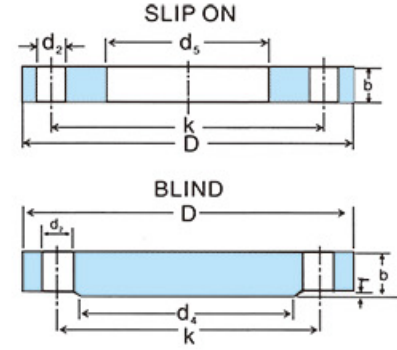
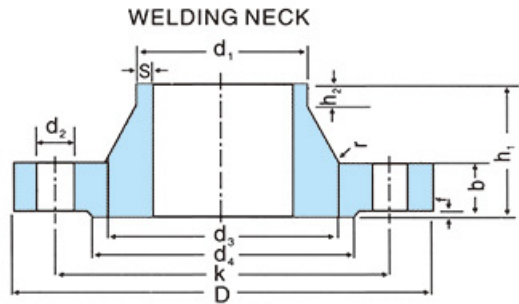
Bore	Common Dimension						Hub				Raised Face	Drilling	Approx. Weight (kg)								
	DN	d ₁	d ₅	d	b			k	h ₁	d ₃	s	r	h ₂	d ₄	f	Number of Bolt Holes	d ₂	DIN 2503	DIN 2634	DIN 2527	
10	14	14.5	90	16	16	16	60	35	25	1.8	4	6	40	2	4	14	0.7	0.661			
	17.2	17.7							28												
15	20	21	95	16	16	16	65	38	30	2	4	6	45	2	4	14	0.771	0.746			
	21.3	22							32												
20	25	26	105	18	18	18	75	40	38	2.3	4	6	58	2	4	14	1	1.06			
	26.9	27.6							40												
25	30	31	115	18	18	18	85	40	42	2.6	4	6	68	2	4	14	1.28	1.29			
	33.7	34.4							46												
32	38	39	140	18	18	18	100	42	52	2.6	6	6	78	2	4	18	1.87	1.88			
	42.4	43.1							56												
40	44.5	45.5	150	18	18	18	110	45	60	2.6	6	7	88	3	4	18	2.13	2.33			
	48.3	49							64												
50	57	58.1	165	20	20	20	125	48	72	2.9	6	8	102	3	4	18	2.79	2.82			
	60.3	61.1							75												
65	76.1	77.1	185	22	22	22	145	52	90	2.9	6	10	122	3	8	18	3.48	3.74	4.33		
	88.9	90.3							105												
80	88.9	90.3	200	24	24	24	160	58	105	3.2	8	12	138	3	8	18	4.35	4.75	5.94		
	108	109.6							128												
100	108	109.6	235	24	24	24	190	65	128	3.6	8	12	162	3	8	22	5.78	6.52	7.64		
	114.3	115.9							134												
125	133	134.8	270	26	26	26	220	68	155	4	8	12	188	3	8	26	7.87	9.07	11		
	139.7	141.6							162												
150	159	161.1	300	28	28	28	250	75	182	4.5	10	12	218	3	8	26	10.1	11.8	14.7		
	168.3	170.5							192												
175	191	193	330	28	28	28	280	75	215	5.6	10	15	248	3	12	26	11	13.4	17.6		
	193.7	196							218												

DIN 25Bar DIN 2503 Slip On Flange
DIN 2527 Blind Flange
DIN 2634 Welding Neck Flange



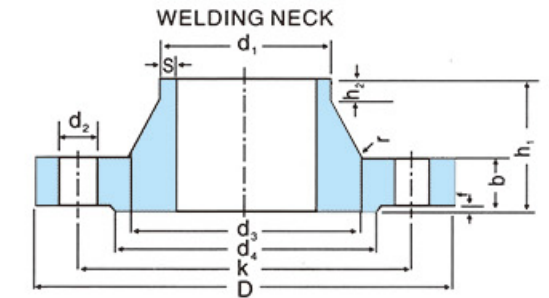
Bore	Common Dimension						Hub				Raised Face	Drilling	Approx. Weight (kg)								
	DN	d ₁	d ₅	d	b			k	h ₁	d ₃	s	r	h ₂	d ₄	f	Number of Bolt Holes	d ₂	DIN 2503	DIN 2634	DIN 2527	
200	216	219	360	30	30	30	310	80	240	6.3	10	16	278	3	12	26	13.6	17	22.7		
	219.1	221.8							244												
250	267	270	425	32	32	32	370	88	292	7.1	12	18	335	3	12	30	19.4	24.4	34.5		
	273	276.2							298												
300	318	322	485	34	34	34	430	92	345	8	12	18	395	4	16	30	25	31.2	47.3		
	323.9	327.6							352												
350	355.6	359.7	555	38	38	38	490	100	398	8	12	20	450	4	16	33	38.2	44.2	69.3		
	368	372.2							442												
400	406.4	411	620	40	40	40	550	110	452	8.8	12	20	505	4	16	36	48.8	57.9	91.5		
	419	423.7							488												
500	508	513.6	730	44	44	45	660	125	558	10	12	20	615	4	20	36	67.2	89.6	141		
600	610	616.5	845	46	50		770	125	660	11	12	20	720	5	20	39	93.57	104			
700	711	716	960	46	52		875	125	760	12.5	20	24	820	5	24	42	117.53	136			
800	813	818	1085	50	56		990	135	865	14.2	22	24	930	5	24	48	156.31	186			
900	914	920	1185	54	62		1090	145	968	16	24	28	1030	5	28	48	188.57	236			
1000	1016	1022	1320	58	68		1210	155	1070	17.5	24	28	1140	5	28	56	255.97	307			

DIN 40Bar DIN 2503 Slip On Flange
DIN 2527 Blind Flange
DIN 2635 Welding Neck Flange



Bore		Common Dimension					Hub				Raised Face		Drilling		Approx. Weight (kg)				
DN	d ₁	d ₅	D	b			k	h ₁	d ₃	s	r	h ₂	d ₄	f	Number of Bolt Holes	d ₂	DIN 2503	DIN 2635	DIN 2527
				Welding neck	Slip On	Blind													
15	20 21.3	21 22	95	16	16	16	65	38	30 32	2	4	6	45	2	4	14	0.771	0.746	
20	25 26.9	26 27.6	105	18	18	18	75	40	38 40	2.3	4	6	58	2	4	14	1	1.06	
25	30 33.7	31 34.4	115	18	18	18	85	40	42 46	2.6	4	6	68	2	4	14	1.28	1.29	
32	38 42.4	39 43.1	140	18	18	18	100	42	52 56	2.6	6	6	78	2	4	18	1.87	1.88	
40	44.5 48.3	45.5 49	150	18	18	18	110	45	60 64	2.6	6	7	88	3	4	18	2.13	2.33	
50	57 60.3	58.1 61.1	165	20	20	20	125	48	72 75	2.9	6	8	102	3	4	18	2.79	2.82	
65	76.1	77.1	185	22	22	22	145	52	90	2.9	6	10	122	3	8	18	3.48	3.74	4.33
80	88.9	90.3	200	24	24	24	160	58	105	3.2	8	12	138	3	8	18	4.35	4.75	5.94
100	108 114.3	109.6 115.9	235	24	24	24	190	65	128 134	3.6	8	12	162	3	8	22	5.78	6.52	7.64
125	133 139.7	134.8 141.6	270	26	26	26	220	68	155 162	4	8	12	188	3	8	26	7.87	9.07	11
150	159 168.3	161.1 170.5	300	28	28	28	250	75	182 192	4.5	10	12	218	3	8	26	10.1	11.8	14.7
200	219.1	221.8	375	34	34	34	320	88	242	6.3	10	16	285	3	12	30	17.4	21.5	27.6
250	267 273	270.2 276.2	450	38	38	38	385	105	298 306	7.1	12	18	345	3	12	33	27.6	34.9	44.5
300	323.9	327.3	515	42	42	42	450	115	362	8	12	18	410	4	16	33	37.8	49.7	64.3
350	355.6 368	359.7 372.2	580	46	46	46	510	125	408	8.8	12	20	465	4	16	36	53.4	68.1	90.8
400	406.4 419	411 423.7	660	50	50	50	585	135	462	11	12	20	535	4	16	39	75.4	96.5	129
500	508	513.6	755	52	52	56	670	140	562	14.2	12	20	615	4	20	42	88.3	117	175

WELDING NECK FLANGES
Nominal Pressure: 64kgf/cm²-ND64
DIN 2636
FLANSLAR
BORULAR ICIN, BOYUNLARI KAYNAKLI
Anma Basincı: 64kgf/cm²-ND64
TS 811/7 (TS ISO 7005-1)



BORU (Pipe)	FLANS (Flange)					BOYUN (Neck)				ALIN CIKINTISI (Raised face)		CLVATALAR (Bolts)			FLANS AĞIRLIĞI (Flange Weight) (7.85kg/dm ³) kg
DN	d ₁ ISO/DIN	D	b	k	h ₁	d ₃	s	r	h ₂	d ₄	f	Sayısı (Each)	Vida Screw	d ₂	
10 40	17.2 48.3	Değerler DIN 2637 (100kgf/cm ²)'den alınmalıdır.													
50	60.3	180	26	135	62	82	2.9	6	10	102	3	4	M20	22	4.55
65	76.1	205	26	160	68	98	3.2	6	12	122	3	8	M20	22	5.73
80	88.9	215	28	170	72	112	3.6	8	12	138	3	8	M20	22	6.69
100	114.3	250	30	200	78	138	4.0	8	12	162	3	8	M24	26	9.66
125	139.7	295	34	240	88	168	4.5	8	12	188	3	8	M27	30	15.1
150	168.3	345	36	280	95	202	5.6	10	12	218	3	8	M30	33	21.9
175	193.7	375	40	310	105	228	6.3	10	16	260	3	12	M30	33	23.7
200	219.1	415	42	345	110	256	7.1	10	16	285	3	12	M33	36	34.9
250	273	470	46	400	125	316	8.8	12	18	345	3	12	M33	36	49.6
300	323.9	530	52	460	140	372	11	12	18	410	4	16	M33	36	68.7
350	368	600	56	525	150	420	12.5	12	20	465	4	16	M36	39	94.6
400	419	670	60	585	160	475	14.2	12	20	535	4	16	M39	42	124

WELDING NECK FLANGES
Nominal Pressure: 100kgf/cm²-ND100
DIN 2637

FLANSLAR
BORULAR ICIN, BOYUNLARI KAYNAKLI
Anma Basincı: 100kgf/cm²-ND100
TS 811/8 (TS ISO 7005-1)

BORU (Pipe)	FLANS (Flange)					BOYUN (Neck)				ALIN CIKINTISI (Raised face)		CLVATALAR (Bolts)			FLANS AĞIRLIĞI (Flange Weight) (7.85kg/dm ³) kg
DN	d ₁ ISO/DIN	D	b	k	h ₁	d ₃	s	r	h ₂	d ₄	f	Sayısı (Each)	Vida Screw	d ₂	
10	17.4	100	20	70	45	32	1.8	4	6	40	2	4	M12	14	1.09
15	21.3	105	20	75	45	34	2.0	4	6	45	2	4	M12	14	1.19
25	33.7	140	24	100	58	52	2.6	4	8	68	2	4	M16	18	2.66
40	48.3	170	26	125	62	70	2.9	6	10	88	3	4	M20	22	4.09
50	60.3	195	28	145	68	90	3.2	6	10	102	3	4	M24	26	5.98
65	76.1	220	30	170	76	108	3.6	6	12	122	3	8	M24	26	7.91
80	88.9	230	32	180	78	120	4.0	8	12	138	3	8	M24	26	8.95
100	114.3	265	36	210	90	150	5.0	8	12	162	3	8	M27	30	13.7
125	139.7	315	40	250	105	180	6.3	8	12	188	3	8	M30	33	22.7
150	168.3	355	44	290	115	210	7.1	10	12	218	3	12	M30	33	30.2
175	193.7	385	48	320	127	245	8.8	10	16	260	3	12	M30	33	38.9
200	219.1	430	52	360	130	278	10.0	10	16	285	3	12	M33	36	52.8
250	273	505	60	430	157	340	12.5	12	18	345	3	12	M36	39	81.4
300	323.9	585	68	500	170	400	14.2	12	18	410	4	16	M39	42	122
350	368	655	74	560	189	460	16.0	12	20	465	4	16	M45	48	165